

INSTRUCTION MANUAL

LT-226 Hydraulic Lifter Trolley 226kg Load Capacity



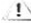
J048

226KG HYDRAULIC TABLE LIFT

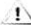


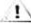
**Owners Manual and
Operating Instructions**


INTRODUCTION

 **WARNING** - Read, study, and follow all instructions before operating this device. Failure to heed these instructions may result in personal injury and/or property damage.

Throughout this manual you will find the following symbols for caution, warning, and danger. Pay particular attention to the notes preceded by these symbols as they are written for your safety. Ultimately, safe operation of this device rests with you, the operator.

 **DANGER** Indicates a hazard which, if not avoided, will result in **DEATH OR SERIOUS INJURY**.

 **WARNING** Indicates a potentially hazardous situation which, if not avoided may result in **DEATH OR SERIOUS INJURY**.

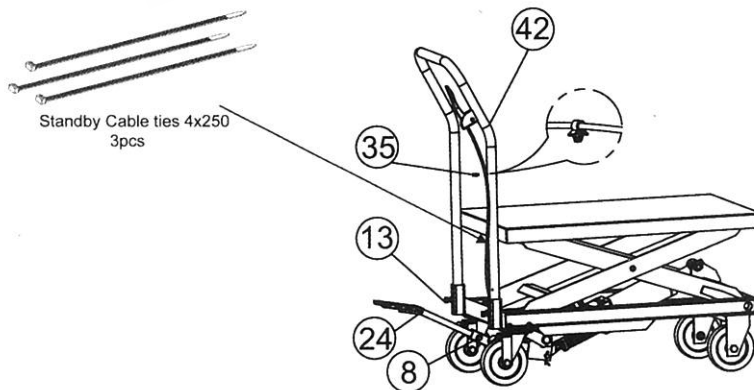
 **CAUTION** Indicates a potentially hazardous situation which, if not avoided, may result in **MINOR OR MODERATE INJURY**. This notation is also used to alert you against unsafe practices.

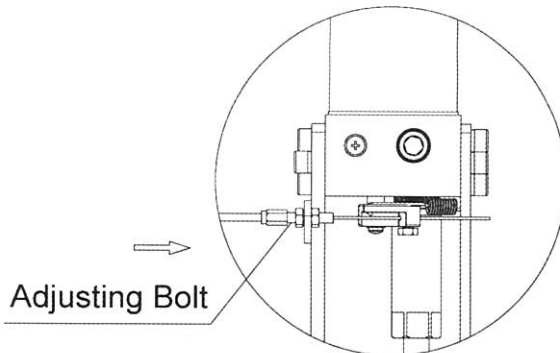
INCLUDED WITH YOUR HYDRAULIC LIFT TABLE

DESCRIPTION	QUANTITY
1. Hydraulic Lift table assembly	1
2. Lifting pedal	1
3. Handle	1
4. M8 Bolt	3
5. Wire Fix Bracket	2

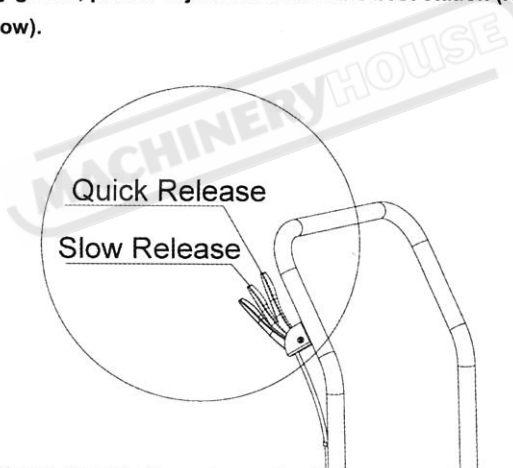
ASSEMBLY

1. Your hydraulic table is almost completely assembled when you open it. To complete the assembly find the parts above enclosed with your table.
2. Place the lifting pedal (24) into the hole in the end of the pedal pole and secure with M8x20 bolt (8).
3. Place the push handle (42) into the vertical tubes positioned on the pedal end of the base assembly. Secure with M8x40 bolt (13).
4. Fix the wire use wire fix brackets (35) into the holes in the push handle (42) and base assembly.
5. Use cable ties fix the release wire if necessary.
6. Your assembly is complete!





1. Before delivery we have put the adjusting bolt to the best station.
2. If there are any outside influences such as transfer, the jack free fall after put on heavy goods, please adjust the bolt to the best station (follow direction of above arrow).

**Note:**

1. Don't put hand close to the scissor stand when you release oil to avoid danger.
2. Controlled release handle can control the speed of falling, when put on heavy goods, don't use fastest speed to release.
3. Don't touch the release handle at the time you put on heavy goods to avoid danger.

SAFETY PRECAUTIONS

⚠️WARNING⚠️

- ⚠️WARNING – DO NOT EXCEED RATED CAPACITY.**
- ⚠️WARNING – Do not use the Hydraulic Table to lift or move persons.**
- ⚠️WARNING – This table was designed for use on hard, level surfaces capable of sustaining the load. Use on other than hard, level surfaces could result in load instability and possible loss of load resulting in property damage and PERSONAL INJURY.**
- ⚠️DANGER – Keep clear of the scissor lifting frame area beneath the table for lifting or lowering operations. Scissor lifts have pinch areas between the frames which can cause serious injury if hands or feet are not well clear of this area.**
- ⚠️WARNING – Do not use attachments or adapters of any type to modify this lift.**
 - ⚠️WARNING – Always use the hydraulic table on clear and level ground, avoid goods drop from the table.**
- ⚠️WARNING – Set the brakes on the rear casters when loading or unloading.**
- ⚠️CAUTION – When not in use, the table shall be fully lowered. Lock in a safe, dry place and keep away from children.**
- ⚠️CAUTION – Do not over-reach. Keep loads evenly balance over the center of the table. Excessive loads on the top or sides of the table may be unstable with the danger of the table toppling over and causing injury or property damage.**
- ⚠️WARNING – Failure to heed these warnings may result in personal injury and/or property damage.**

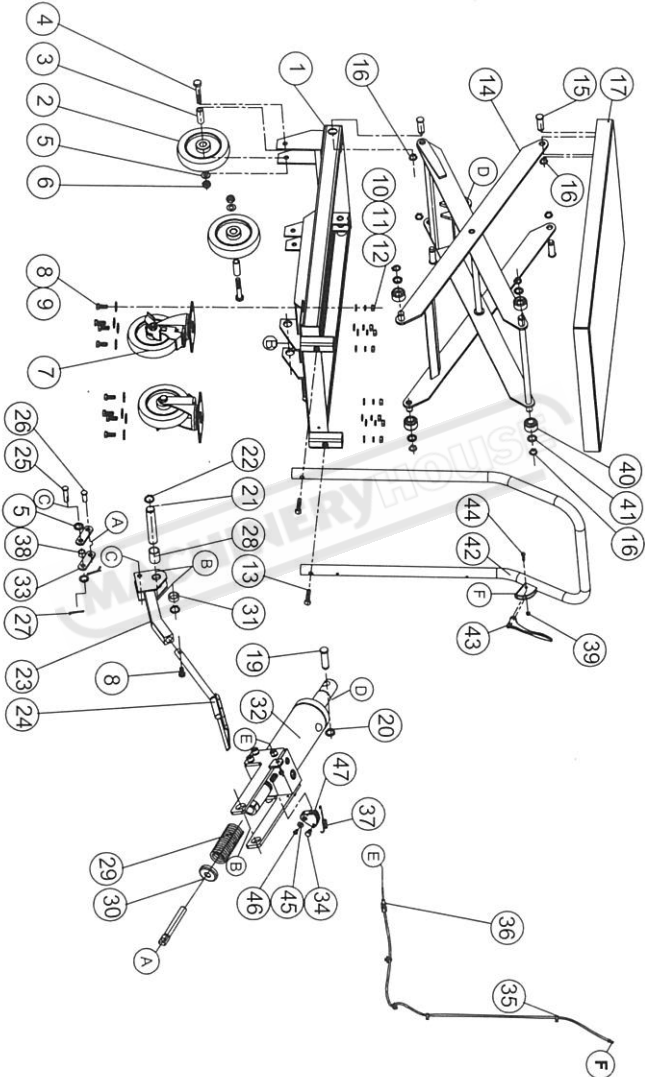
GENERAL TIPS FOR SAFE OPERATION

1. Keep work area clean. Cluttered work areas invite injury. Do not use in damp, wet, or poorly lit locations.
2. Keep table wiped down and clean. Do not expose to prolonged wet or corrosive conditions.
3. Cover the table and store it in a dry, protected environment.

MAINTAINENCE

1. Periodically check the tightness of mounting bolts.
2. Remove all dirt or corrosion and always keep clean.
3. Lubricate the wheels to maintain smooth rolling.
4. Inspect all joints and bolts periodically. Remove it from service place if any cracking or if the frame is bent or deformed.

HYDRAULIC TABLE CART DIAGRAM



PARTS LIST

Ref#	Drawing No.	Description	Qty
1	T012-3000	Base Assembly	1
2	T012-00014	Wheel	2
3	T012-00013	Bushing	2
4	9101-10065-DX	Hex Bolt M10x65	2
5	9301-10000-DX	Flat Washer $\varnothing 10$	4
6	9206-10000-DX	Nylon Lock Nut M10	2
7	T012-00012	Swivel Wheel	2
8	9102-08020	Hex Bolt M8x20	9
9	9302-08000-DX	Big Flat Washer $\varnothing 8$	8
10	9301-08000-DX	Flat Washer $\varnothing 8$	8
11	9306-08000-DX	Lock Washer $\varnothing 8$	8
12	9201-08000-DX	Hex Nut M8	8
13	9102-08040-DX	Hex Bolt M8x40	2
14	T012-20000	Lift Frame	1
15	T012-00001-DX	Hinge Pin	4
16	9304-14000-FH	Snap Ring $\varnothing 14$	8
17	T012-10000	Tabletop	1
19	T012-00004-DX	Hinge Pin of Pump	1
20	9304-16000-FH	Snap Ring $\varnothing 16$	1
21	T012-00007-DX	Long Axis	1
22	9304-20000-FH	Snap Ring $\varnothing 20$	2
23	T013-60000	Lifting Pedal Base	1
24	T012-70000	Lifting Pedal	1
25	T012-00015-DX	Handle Pin	1
26	T012-00011-DX	Connecting Rod Pin	1
27	9404-03025-DX	Cotter Pin $\varnothing 3 \times 25$	2
28	T012-00008-DX	Long Bushing	1
29	T012-00005-FH	Pressure Spring	1
30	T012-00006-DX	Pressure Spring Cover	1
31	T012-00009-DX	Short Bushing	1
32	T012-50000	Jack	1
33	T012-00002-DX	Connecting Rod	2

PARTS LIST

Ref#	Drawing No.	Description	Qty
34	9101-05010-DX	Hex Bolt M5x10	1
35	RH-6	Wire Fix Bracket	4
36	T012-40000	Release Wire	1
37	T012-40002-FH	Tension Spring	1
38	T012-00010-DX	Small Washer	1
39	9206-05000-DX	Nylon Lock Nut M5	1
40	T012-20002	Small Wheel	4
41	T012-20003-DX	Small Flat Washer	4
42	T012-80000-DG	Push Handle	1
43	T012-40004-DG	Release Handle	1
44	9101-05020-DX	Hex Bolt M5x20	1
45	9302-05000-DX	Big Flat Washer Ø5	1
46	9110-05008-DX	Screw M5x8	1
47	T012-40003	Strut Adjusting Box	1

MACHINERYHOUSE